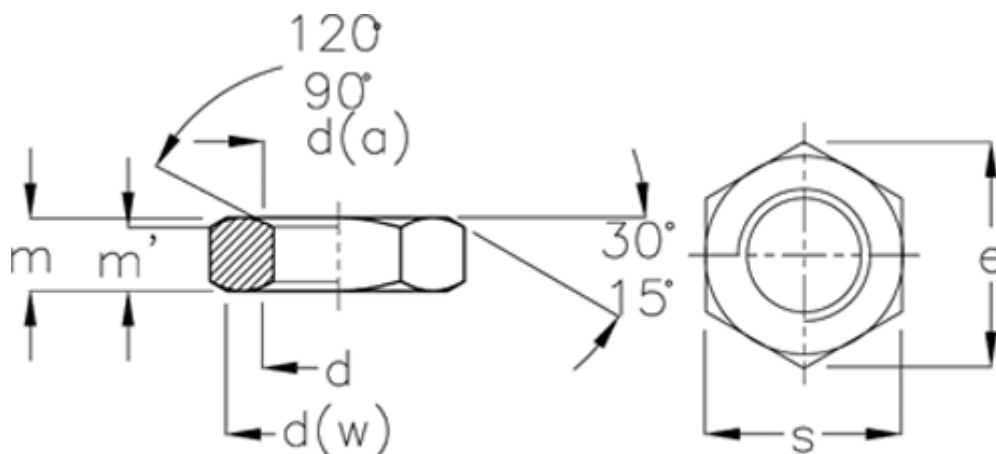


Article number: 201605141

Description: Lock nut ISO 8675 B-M16x1,5 Stainless

Measures



d	= M16	m min	= 7.42
d1 max	= 17.3	s max	= 24
d1 min	= 16	s min	= 23.67
d2	= M16	Thread pitch	= 1.5
d3	= 1.5	w	= 22.49
e	= 26.75		
m	= 5.94		
m max	= 8		